

***** DIRECTIONS TO THE FIELD *****

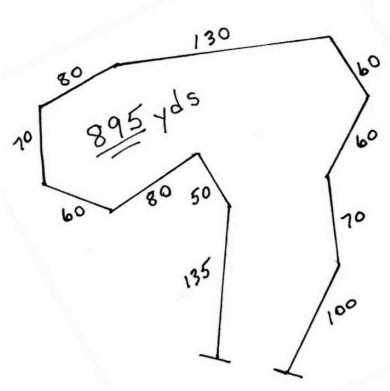
***** From the north or Duke Point Ferry/Nanaimo:** Take Hwy 1 South to Nanaimo Airport, turn left onto Spitfire Rd. enter round-a-bout & exit 1st road right

***** From the South Victoria:** Take Hwy 1 North to Nanaimo Airport, turn right onto Spitfire Rd. enter the round-a-bout and exit at the 1st road to your right**

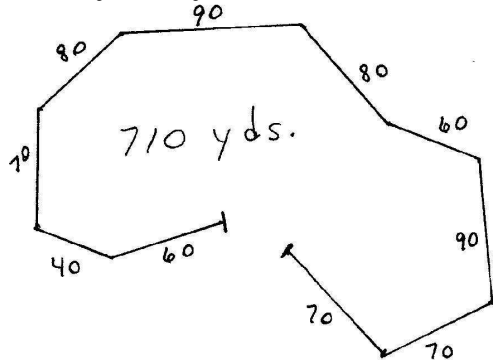
❖ **Look for a VILCA sign directing you to the field**

COURSE PLANS: *Not to scale.* Course may be altered due to weather, field conditions and/or safety.

Saturday 895 yards



Sunday 710 yards



ENTRY FEES

PER HOUND, PER TRIAL	\$18.00
ADDITIONAL HOUND SAME OWNERS	\$16.00
SINGLE STAKES (limited to 10 hounds)	\$18.00
ADDITIONAL HOUND SAME OWNERS	\$16.00
LATE/DAY OF TRIAL ENTRIES	\$25.00
PUPPY, OLD TIMER, KENNEL OR BREEDER	\$5.00
VETERANS STAKE (entered in Open or Mixed Stake)	Nil
Listing Fee*	\$8.82

*CKC Listing Fee must accompany the entry of a dog for which there is no CKC Registration Number or ERN on the Entry Form.

OFFICIAL PREMIUM LIST

These events are held under the rules of the Canadian Kennel Club
See Page 5 of the Premium List for the current (April, 2011) information on the Non-Member Participation fee.

Pre-entries close at noon June 3, 2014

Day of trial entries close 1/2 hour before Roll Call

ROLL CALL

Saturday: 9:30 a.m. Sunday: 9:00 a.m.

LURE COURSING EQUIPMENT

Will be gas or battery powered DRAG lure machine with white plastic bags.

Vancouver
Island
Lure
Coursing
Association



TWO C.K.C. LURE COURSING TRIALS

June 7 & 8 2014

TO BE HELD at Nanaimo Airport Cassidy Field

3359 Spitfire Road
Cassidy, BC VOR 1H0

Camping is not permitted on the field.

Mail entries to:

Blair Shinski, Field Trial Secretary
3169 AYTON PLACE Victoria B.C. V9B 4C3

MAKE ALL CHEQUES PAYABLE TO:

"VANCOUVER ISLAND LURE COURSING ASSOCIATION"

(Sorry, no Fax or Credit Card entries available)

Phone: (250) 479 - 5818 e-mail: blair60@telus.net

CONCESSION AVAILABLE AT THE TRIAL

RUNNING ORDER

VANCOUVER ISLAND LURE COURSING ASSOCIATION

President – Carolyn Hutchison
Secretary – Mark Limacher

Vice President – Carole Adley
Treasurer – Blair Shinski

FIELD TRIAL COMMITTEE

Trial Secretary: Blair Shinski Trial Chairperson: Carole Adley
Field Clerks: Sally Forseth and Leah Blackwood
Lure Operator: John Girgan Huntmasters: Carolyn Hutchison, Laurel Deptuch,

CANADIAN KENNEL CLUB

B.C. Director SW Zone: Joan Bennett Coursing Director: Debra Verzyl
CEO, Mr. Lance Novak: 200 Ronson Dr., #400, Etobicoke ON M9W 5Z9
Ph: (416) 675-5511

ELIGIBLE ENTRIES

Open to the following breeds: Afghan Hound, Basenji, Borzoi, Deerhound (Scottish), Greyhound, Ibizan Hound, Irish Wolfhound, Pharaoh Hound, Saluki, Whippet and Italian Greyhound that are one year old or older on the day of the trial. All entrants must be registered, or eligible for registration, with the Canadian Kennel Club or have an Event Registration # (ERN), or Performance Event # (PEN). Hounds presently disqualified under any jurisdiction cannot compete. Hounds with breed disqualifications, altered or neutered are eligible to enter the lure coursing trial. Hounds must be pre-qualified before entering their first trial in Canada. The original signed certificate must be submitted to the Field Trial Secretary with the entry form.

AWARDS

Rosettes for 1st through NBQ: Open & Mixed Stake

PRIZES AND ROSETTES FOR:

Best of Breed	Best in Field	LQS
Best in Old Timers Fun Run	Best Veteran	Best in Singles Stake
Best in Kennel Stake	Best in Breeder Stake	Best Puppy

CHAMPIONSHIP POINTS will be awarded as follows:

1st place - 4 X number competing to a maximum of **40 points**
2nd place - 3 X number competing to a total of **30 points**
3rd place - 2 X the number competing to a total of **20 points**
4th place - 1 X the number competing to a total of **10 points**
NBQ - No Points

JUDGES:

David R. Denis

3186 Hertel Road Ladysmith BC V9G 1C6

George Malcolm Goff

2397 Widgeon Road Qualicum Beach BC V9K 2A6

Judges Assignments:

David R. Denis - *all breeds & unofficial*

George Malcolm Goff - *all breeds & unofficial*

Both Days – Basenji, Borzoi, Afghan, Greyhound, Whippet, Saluki, Scottish Deerhound, Ibizan, Irish Wolfhound, Pharaoh Hound, Italian Greyhound, Unofficial

STAKES OFFERED

OPEN STAKE: All hounds including Field Champions.

MIXED STAKE: Multiple breeds with 3 or less with the agreement of the owners.

VETERANS STAKE: Hounds designated as veterans on entry form and entered in Open or Mixed Stake will be eligible for an additional prize

SINGLES STAKE: Open to all sight hounds over the age of 1 year not entered in the trial. Will run individually, twice, after the official runs. Runs will be judged but no points will be awarded. Ties will be decided by a coin toss. **Limit: 10 hounds**

PUPPY FUN RUN on Saturday: For puppies whose age on the day of the trial is six months, but less than 18 months and who are not entered in the trial. Puppies will run once individually on a shortened course and scored. Placements of first through NBQ may be awarded but will not count for points. This stake may be divided by age.

OLD TIMERS FUN RUN Sunday: For any hound seven years of age or older the day of the trial and not entered in the trial. Old Timers will be run once individually on a shortened course and will be scored. Handicap of 2 pts will be added for each year over seven. (8 years = judges score + 2 pts)

KENNEL STAKE ON Sunday: For any 2 hounds entered in open or mixed stake owned by and living with the same owner. Total scores to determine the winner.

Must be designated before roll call.

BREEDER STAKE ON Sunday: For any 2 hounds entered in open or mixed stake bred by the same person. Total scores to determine the winner.

Must be designated before roll call.

BEST IN FIELD on Sunday: **BIF:** all BOB winners & Mixed Stake winners, both days

ADDITIONAL INFORMATION

“It shall be the duty and obligation of the trial-giving club to see that a judge, club official, volunteer or any participant at an event held under these rules is not subject to indignities of any kind. The Field Trial Committee Chair shall promptly report to CKC any infringement of this regulation, and the Discipline Committee shall have the authority to take such action as it deems fit on receipt of a report indicating that this has occurred.”

Unless coursing, hounds must be leashed at all times.

A \$5.00 fee will be levied for any hound loose on the site property.

-Please pick up after your hound. Bags are available on site. Leave the field site just as you found it – clean. We would like to be able to use the field in the future.

- Stakes will be split if the entry of a breed reaches 24 or more at Roll Call.
- Only the first place winner in Mixed Stake may run for Best in Field.
- Bitches in season or lame hounds will have their entries refunded provided notice is given at, or before Roll Call.
- Hounds not present at Roll Call will be scratched and their entry fee will not be refunded.
- A valid rabies certificate is required to bring a dog into Canada.
- U.S. cheques cannot be discounted. To take advantage of the exchange please pay with a Canadian money order.
- Entry forms not the same size and format, as the official CKC entry form will be rejected. You will be asked to complete a new one. Please use the forms provided.
- A portable toilet will be provided but there will be no water available on site.
- Please bring your own shade/rain cover, as none will be provided.
- Please park in designated areas only to minimize damage to the field.
- Please bring water for your dogs as water source is not available on site.



Official Canadian Kennel Club Entry Form
 Vancouver Island Lure Coursing Association

Lure Field Trials: Saturday Sunday (check box)

Make cheques payable to VILCA
mail to:
3169 Ayton Place Victoria B.C. V9B 4C3

I enclose \$ _____ for entry fees; \$ _____ for listing fees

Please typewrite or print clearly

Breed:	Call Name:	Sex:
Coursing Stake:	<input type="checkbox"/> Check if this is Hound's First Trial in Canada (Hound Certification Form Must be attached)	
Registered Name:		
Check one & enter number <input type="checkbox"/> CKC Reg # <input type="checkbox"/> CKC ERN <input type="checkbox"/> Listed	Date of Birth: Year _____ Month _____ Day _____ Place of Birth: <input type="checkbox"/> Canada <input type="checkbox"/> Elsewhere	
Breeder:	<input type="checkbox"/> Check if you want hounds separated (same OWNER only)	
Sire:		
Dam:		
Registered Owner:		
Address:		
City	Prov/State	Postal Code

I certify that I am the registered owner of the dog or that I am the duly authorized agent of the owner(s) whose name(s) I have entered above and accept full responsibility for all statements made in this entry. In consideration of the acceptance of the entry I agree to be bound by the rules and regulations of the Canadian Kennel Club and any additional rules appearing in the premium list.

 Signature of Owner or Agent Phone Number

email: _____



Official Canadian Kennel Club Entry Form
 Vancouver Island Lure Coursing Association

Lure Field Trials: Saturday Sunday (check box)

Make cheques payable to VILCA
mail to:
3169 Ayton Place Victoria B.C. V9B 4C3

I enclose \$ _____ for entry fees; \$ _____ for listing fees

Please typewrite or print clearly

Breed:	Call Name:	Sex:
Coursing Stake:	<input type="checkbox"/> Check if this is Hound's First Trial in Canada (Hound Certification Form Must be attached)	
Registered Name:		
Check one & enter number <input type="checkbox"/> CKC Reg # <input type="checkbox"/> CKC ERN <input type="checkbox"/> Listed	Date of Birth: Year _____ Month _____ Day _____ Place of Birth: <input type="checkbox"/> Canada <input type="checkbox"/> Elsewhere	
Breeder:	<input type="checkbox"/> Check if you want hounds separated (same OWNER only)	
Sire:		
Dam:		
Registered Owner:		
Address:		
City	Prov/State	Postal Code

I certify that I am the registered owner of the dog or that I am the duly authorized agent of the owner(s) whose name(s) I have entered above and accept full responsibility for all statements made in this entry. In consideration of the acceptance of the entry I agree to be bound by the rules and regulations of the Canadian Kennel Club and any additional rules appearing in the premium list.

 Signature of Owner or Agent Phone Number

email: _____



CANADIAN KENNEL CLUB CLUB CANIN CANADIEN

HOUD CERTIFICATION

Rule effective January 1, 2001, Chapter 7, Section 7.1.1 (a). A hound must be tested with another dog, not a kennel mate, preferably of the same breed, and certified running clean by a licensed judge. Please complete the bottom half of this form and attach it to the entry form for the hound's first entry in a trial. Remember to keep a copy for yourself.

Waiver of Requirement: This requirement will be waived for a hound that has earned a lure coursing title from another organization if such title required competition, and if a waiver for such title has been approved by the Canadian Kennel Club. If your hound qualifies for a waiver complete the top half of this form and attach to your entry form,

All hounds must be a minimum of 12 months of age prior to being certified. All hounds must run a normal course of 600 yards in order to be certified.

Registered Name of Hound _____

Registration Number _____ Breed _____

Registered Owners Name _____

AKC Titles: SC MC FC LCX DC ASFA Titles: F.Ch. F.Ch.X LCM (Circle one)

I hereby certify that on (date) _____ the above named hound completed a lure course of at least 600 yards running with another hound of the same breed (or another breed with a similar running style). During the course, the above named hound showed no inclination to interfere with the other hound. I further certify that I am a licensed judge for the breed certified.

Name of Licensed Judge: _____

Signature: _____ Date: _____

I hereby certify that the hound run in the certification course is the hound identified above and that the information on this form is correct.

Signature of Owner or Authorized Agent of Hound) _____ Date _____

This certification form must be attached to the entry form the first time this hound is entered in an Open or Veteran Stake. Any hound entered in Open or Veteran Stake which has not been certified shall be declared ineligible by the records co-coordinator and shall forfeit any points and placements awarded.



CANADIAN KENNEL CLUB CLUB CANIN CANADIEN

HOUD CERTIFICATION

Rule effective January 1, 2001, Chapter 7, Section 7.1.1 (a). A hound must be tested with another dog, not a kennel mate, preferably of the same breed, and certified running clean by a licensed judge. Please complete the bottom half of this form and attach it to the entry form for the hound's first entry in a trial. Remember to keep a copy for yourself.

Waiver of Requirement: This requirement will be waived for a hound that has earned a lure coursing title from another organization if such title required competition, and if a waiver for such title has been approved by the Canadian Kennel Club. If your hound qualifies for a waiver complete the top half of this form and attach to your entry form,

All hounds must be a minimum of 12 months of age prior to being certified. All hounds must run a normal course of 600 yards in order to be certified.

Registered Name of Hound _____

Registration Number _____ Breed _____

Registered Owners Name _____

AKC Titles: SC MC FC LCX DC ASFA Titles: F.Ch. F.Ch.X LCM (Circle one)

I hereby certify that on (date) _____ the above named hound completed a lure course of at least 600 yards running with another hound of the same breed (or another breed with a similar running style). During the course, the above named hound showed no inclination to interfere with the other hound. I further certify that I am a licensed judge for the breed certified.

Name of Licensed Judge: _____

Signature: _____ Date: _____

I hereby certify that the hound run in the certification course is the hound identified above and that the information on this form is correct.

Signature of Owner or Authorized Agent of Hound) _____ Date _____

This certification form must be attached to the entry form the first time this hound is entered in an Open or Veteran Stake. Any hound entered in Open or Veteran Stake which has not been certified shall be declared ineligible by the records co-coordinator and shall forfeit any points and placements awarded.



CANADIAN KENNEL CLUB

CLUB CANIN CANADIEN

Non-Member Participation Fee

(April 2011)

- Non-member participation fee will be charged to a resident of Canada who is a non-member of the CKC.
- The non-member participation fee is paid in any year a title is earned and covers all titles and dogs owned by that individual.
- In order for the title to be awarded, the non-member will have a choice to either become a CKC member or pay the non-member participation fee.

Failure to comply within 30 days of notification will result in the title being withheld and the dog cannot be moved up to the next level.

- All Premium Lists will carry a note stating the fee applies only to dogs wholly owned by non-member residents of

Canada and is not applicable to CKC members.

